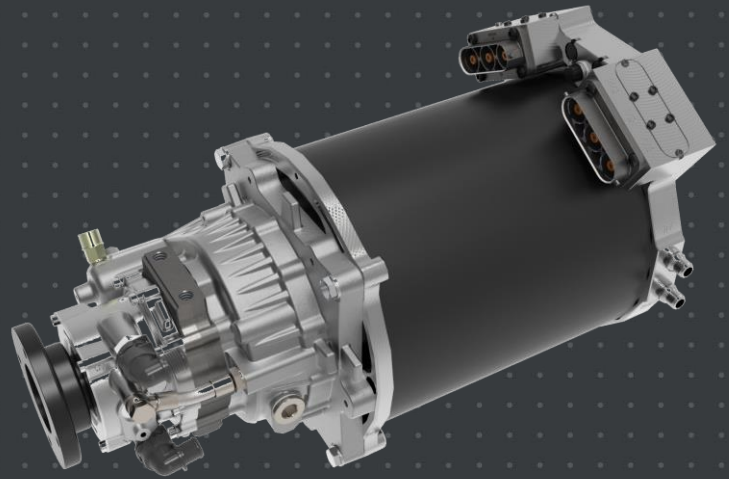


**DTSP2-028-
HSM2-10.18.22**
Single Planetary
Traction Drive



**Optimal performance
from zero speed**

Safety first

Intrinsically safe

Interlock function

Integrated overload
protection against
overheating

Low short circuit torque

Cutting-Edge Technology

High power density

Outstanding continuous
power

Very high efficiency over a
wide speed & torque range

Constant power over a very
wide speed range

AC connectors for easy
integration

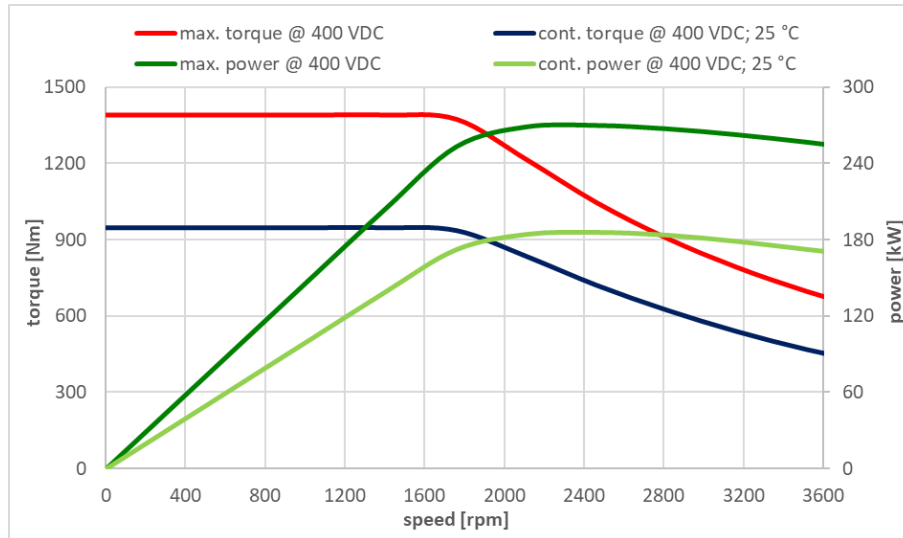
Incl. axial bearing, optimal
for leisure boats

Minimal torque ripple

Minimal drag losses

Performance data at 400V _{DC}	DTSP2	
Nominal speed	1'759	rpm
Continuous torque	947	Nm
Maximum torque (at max. inverter current)	1'393	Nm
Continuous power (acc. S1) at 25°C	172	kW
Continuous power (acc. ECE R85) at 25°C	176	kW
Maximum power	270	kW
Maximum speed	3'518	rpm
Basic electrical data		
Compatible inverter	DTI844-6	
Recommended input voltage	300 - 450	V
Maximum inverter current	6x 400	A _{RMS}
Insulation class	H	
Mechanical data / Cooling system / Environment		
Transmission ratio	1:2.842	
Diameter (cooling jacket)	270	mm
Length	606.15	mm
Weight (dry)	98.5	kg
Oil volume (+/-25 ml)	0.43	L
Oil type	API-GL5 SAE 75W-90	
Ingress protection	IP67	
Ambient temperature range (operation)	-40 to +85	°C
Ambient temperature range (storage)	-40 to +85	°C
Amount of coolant in motor	0.69	L
Amount of coolant in gear box	0.043	L
Coolant water mixture water/glycol	50/50	%
Coolant input temperature range	-30 to +65	°C
Coolant flow rate	6 to 10	L/min
Max. pressure drop motor (8 L/min, T _{coolant} = 25°C)	254	mbar
Max. pressure drop gear box (8 L/min, T _{coolant} = 25°C)	25	mbar
Maximum coolant pressure	1.5	bar
Maximum altitude	4000	m
Connections		
Phases U, V, W: recommended cross section (Cu)	70	mm ²
Ground GND: recommended cross section (Cu)	70	mm ²
Optional available AC and resolver cables incl. connectors	2	m
Key reference standards*		
Environmental	ISO 16750 ISO 20653 EN 60034-5 LV124	
Electrical Safety	IEC 60664-1 LV123	
Additional relevant standards	EN 60034-1	

Performance DTSP2-028-HSM2-10.18.22



Dimensions [mm]

